



SensComp, Inc.
 36704 Commerce Rd.
 Livonia, MI 48150 USA
 Telephone: (734) 953-4783
 Fax: (734) 953-4518
 www.senscomp.com

Series 7000 Ultrasonic Sensor

SensComp's Series 7000 Electrostatic Ultrasonic sensor is specifically intended for operation in air at ultrasonic frequencies. The assembly comes complete with a perforated protective cover.

Features

- 50 KHz Electrostatic Ultrasonic sensor
- Beam Angle of 17° at -3 dB
- Ranges from 6" to 35'
- Excellent Receive Sensitivity
- Perforated Plastic Protective Cover.
- Specifically Intended for Operation in Air at Ultrasonic Frequencies

Part No.

- *PID# 612366 – Series 7000 Ultrasonic sensor (with electrical connecting clips)
- *PID# 614565 – Series 7000 Ultrasonic sensor (without electrical connecting clips)
- *RoHS Compliant

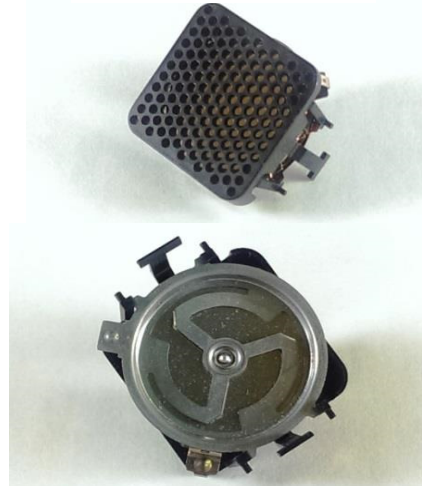
Benefits

- Able to Range from 6" to 35'
- Excellent Receive Sensitivity

Applications

- Level Measurement, Proximity Detection, Presence Detection, Robotics, Educational Products

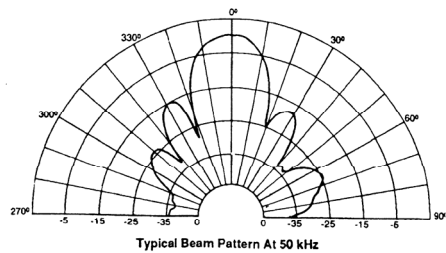
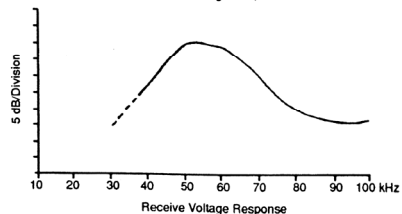
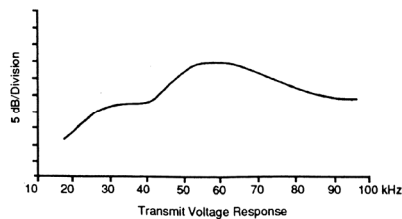
Specifications



Description

The Series 7000 ultra-sensitive ultrasonic sensors feature ranging capability from 2.5 cm to 15.2 m when used with SensComp drive electronics. They are ideally suited for demanding applications where the most sensitivity possible is the highest priority. These ultrasonic sensors are among the best available when detecting soft or small targets.

Transmit/Receive Response & Beam Pattern



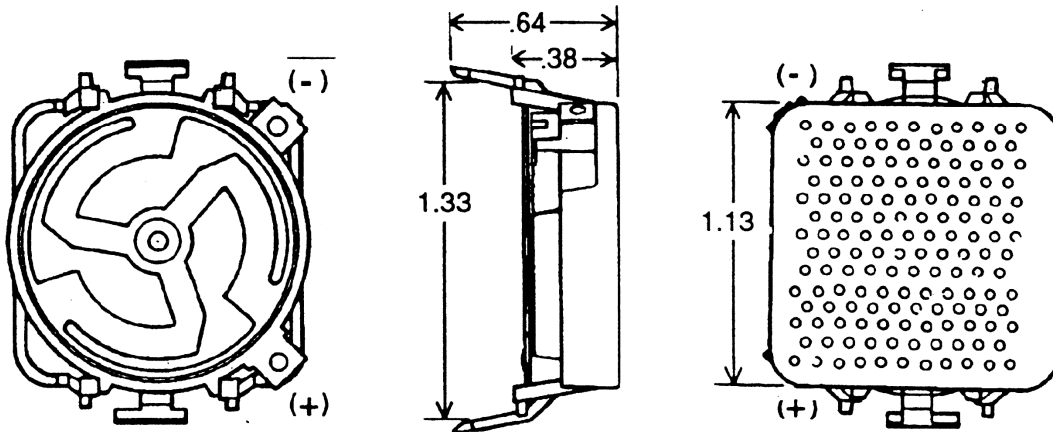
Note: dB normalized to on-axis response.
 Note: Curves are representative only. Individual responses may differ.

Series 7000 Specifications

Usable Frequency Range		Suggested DC Bias Voltage	200V
Transmitting	See Graph	Suggested AC Driving Voltage	200V peak
Receiving	See Graph	Combined Voltage	400V max
Beam Pattern	See Graph	Capacitance at 1 kHz (typical)	600-700 pf
Typical: 17° at -3dB		(at 150 VDC bias)	
Transmitting Sensitivity	106.9 dB min	Operating Temperature	-40 to +85° C
at 50.0 kHz; 0dB re 20 µPa at 1 meter		(-40 to 185° F)	
(300 VAC _{PP} ; 150 VDC bias)		Relative Humidity (non condensing)	5% - 95%
Receiving Sensitivity	-43.4 dB min	Dimension	
at 50.0 kHz; 0dB = 1 volt/Pa		Thickness	0.41 inch
(150 VDC bias)		Square Size	1.13 inch
Distance Range	0.15 to 10.7 M	Standard Finish	
	(0.5 to 35 feet)	Foil	Gold
Resolution (± 1% over entire range)	± 3mm to 3m	Housing	Flat Black
	(± 0.12 to 10 ft)		Plastic
Weight	4.7 gm (0.15 oz)		

Notes:

- [1] Lines which may occasionally appear in foil have no effect on product functionality or performance.
- [2] Variations in die depth may result in minor variations of tolerances.



SENSCOMP PRODUCT SPECIFICATION SHEET DISCLAIMER NOTICE

SensComp, Inc. ("SensComp") reserves the right to make corrections, enhancements, improvements and other changes to its products, specification sheets and data, and to discontinue any product, without further notice. Buyer should obtain the latest relevant information before placing an order and should verify that such information is current and complete. All products are sold subject to SensComp's terms and conditions of sale in effect at the time of order acknowledgment.

SensComp disclaims any and all liability for any errors, inaccuracies or incompleteness contained in any specification sheet or in any other disclosure relating to any product. Information contained herein is strictly for reference and subject to change without notice. SensComp is not liable for any damages that the reader or any third person might suffer as a result of the reader ignoring this warning.

SensComp makes no warranty, representation or guarantee regarding the suitability of the products for any particular purpose. SensComp disclaims (i) any and all liability arising out of the application or use of any product, (ii) any and all liability, including without limitation special, consequential or incidental damages, and (iii) any and all implied warranties, including warranties of fitness for a particular purpose, non-infringement and merchantability.

SensComp assumes no liability for applications assistance or the design of Buyer's products. Buyer is responsible to validate its products, designs and applications using SensComp's products or components. To minimize the risks associated with Buyer's products and applications, Buyer should provide adequate design and operation safeguards.

SensComp products are not authorized for use in aircraft, aviation, nuclear, medical or safety-critical applications including, but not limited to, life support, where a failure of the SensComp product would reasonably be expected to cause severe personal injury or death.