



SensComp, Inc.
 36704 Commerce Rd.
 Livonia, MI 48150 USA
 Telephone: (734) 953-4783
 Fax: (734) 953-4518
 www.senscomp.com

Series 9000 Transducer

SensComp's Series 9000 Piezoelectric transducer is specifically intended for operation in air at ultrasonic frequencies.

Features

- 48 kHz Piezoelectric Transducer
- Asymmetrical Beam Angle of 18° by 30° (typ.)
- Rugged Construction
- Suited for Harsh Environments
- Specifically Intended for Operation in Air at Ultrasonic Frequencies

Part No.

- *PID# 618417LF – Series 9000 Transducer
- *RoHS Compliant

Benefits

- Meets or Exceeds SAE Specification J1455 for Heavy-duty Trucks
- Withstands Demands of Automotive Exteriors

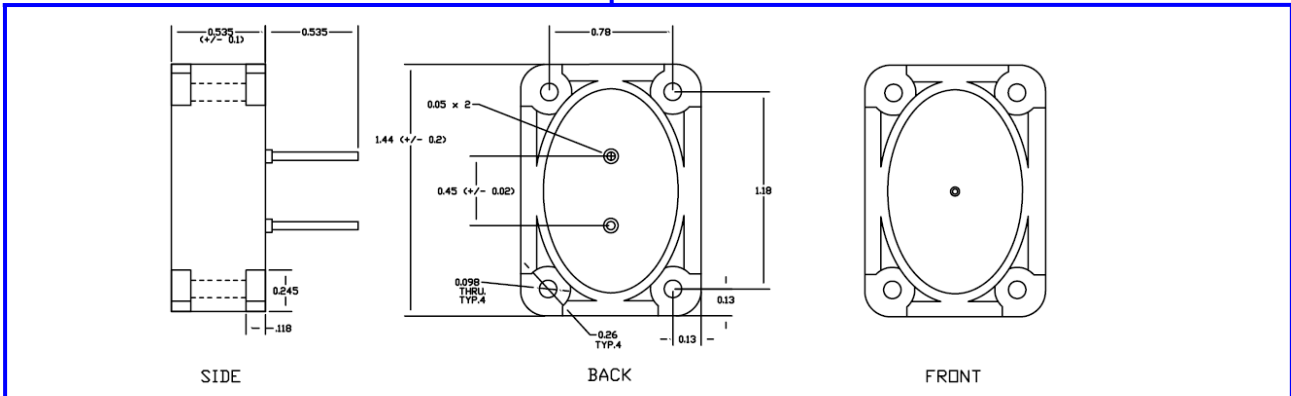
Applications

- Level Measurement, Proximity Detection, Presence Detection, Robotics, Educational Products
- Operation in Outdoor Environments



Description

The Piezoelectric based Series 9000 transducer is specifically intended for operation in air at ultrasonic frequencies. Its rugged construction and unique asymmetrical beam pattern make it an ideal choice to withstand the rigorous demands of the automotive exterior and other harsh environments. This transducer design is intended to meet or exceed the guidelines set forth in SAE specification J1455 for heavy-duty trucks.



Series 9000 Specifications

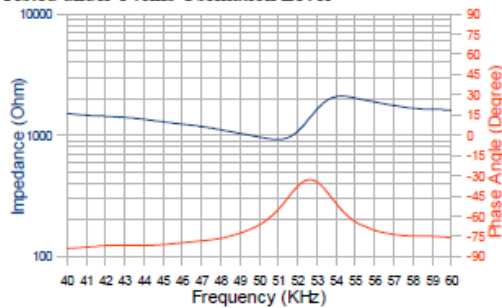
Operating Frequency48 KHz \pm 2 kHz
Ringing1.2 mS max.
Bandwidth (100dB) Transmitter.....15 kHz
 (-80dB) Receive.....15 kHz
Transmitting Sound Pressure Level.....100 dB min
 0dB re 0.0002 μ bar at 30 cm,
 10 Vrms, at 48 kHz
Receiving Sensitivity-80 dB min
 at 48 kHz; 0dB = 1 volt/ μ bar
Total Beam Angle.....See Graph
 Asymmetrical.....18° typ. x 30° typ.
Suggested AC Driving Voltage10-120Vp-p
Driving Voltage (10% duty cycle)140Vp-p max
Impedance1000 ohms \pm 10%
 at resonant frequency 48 kHz
Capacitance at 1 KHz \pm 20%2400 pF
Construction
Outer HousingValox Plastic
Cone.....Anodized Aluminum
Dimensions in inches.....See Drawing

Operating Temperature.....-30 to +70°C
Storage Temperature-40 to +80°C
Relative Humidity (non condensing)98% at 38°C
Salt Spray5% @ 95% Rh
Altitude Operating12,000 feet
 Non-Operating.....40,000 feet
Dust, Sand, Gravel Bombardment
 1 quart #50 Abrasive Sand, 3.6 ft. drop,
 (20) Repetitions
Mechanical Vibration
 10 G Random Triaxial Vibration,
 50 Hz – 2 KHz for 1 hour
Mechanical Shock
 Survives a 3 foot drop on concrete floor
Steam Cleaning
Input Pressure
 4.5 bf/in² min at 200° F
Pressure Wash
 102 lb/ in² at 104° F at 150 gal/minute
Chemical Exposure
 Gasoline, Solvent, Cleaners, Lubricants

All specifications are taken @ 25°C typ.

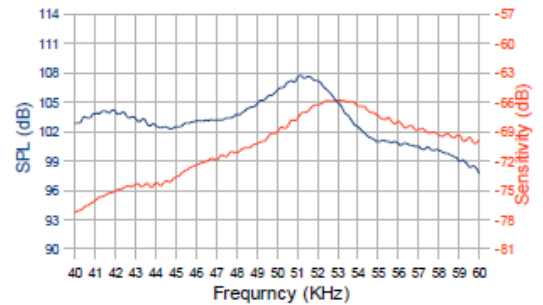
Impedance/Phase Angle vs. Frequency

Tested under 1Vrms Oscillation Level

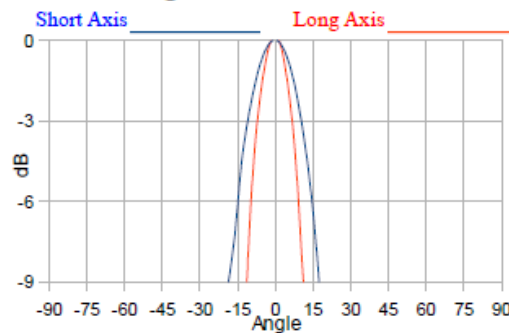


Sensitivity/Sound Pressure Level

Tested under 10Vrms @30cm



Beam Angle: @48KHz



SENSCOMP PRODUCT SPECIFICATION SHEET DISCLAIMER NOTICE

SensComp, Inc. ("SensComp") reserves the right to make corrections, enhancements, improvements and other changes to its products, specification sheets and data, and to discontinue any product, without further notice. Buyer should obtain the latest relevant information before placing an order and should verify that such information is current and complete. All products are sold subject to SensComp's terms and conditions of sale in effect at the time of order acknowledgment.

SensComp disclaims any and all liability for any errors, inaccuracies or incompleteness contained in any specification sheet or in any other disclosure relating to any product. Information contained herein is strictly for reference and subject to change without notice. SensComp is not liable for any damages that the reader or any third person might suffer as a result of the reader ignoring this warning.

SensComp makes no warranty, representation or guarantee regarding the suitability of the products for any particular purpose. SensComp disclaims (i) any and all liability arising out of the application or use of any product, (ii) any and all liability, including without limitation special, consequential or incidental damages, and (iii) any and all implied warranties, including warranties of fitness for a particular purpose, non-infringement and merchantability.

SensComp assumes no liability for applications assistance or the design of Buyer's products. Buyer is responsible to validate its products, designs and applications using SensComp's products or components. To minimize the risks associated with Buyer's products and applications, Buyer should provide adequate design and operation safeguards.

SensComp products are not authorized for use in aircraft, aviation, nuclear, medical or safety-critical applications including, but not limited to, life support, where a failure of the SensComp product would reasonably be expected to cause severe personal injury or death.