



SensComp, Inc.
36704 Commerce Rd.
Livonia, MI 48150 USA
Telephone: (734) 953-4783
Fax: (734) 953-4518
www.senscomp.com

Female Transducer Clips

SensComp Electronic Component – Female Electrostatic Transducer Connector (Clip)

Features

Ease of Connecting to Series 600 and Series 7000 Electrostatic Transducers

Part No.

*PID# 735714ALF – Female Transducer Clips
*RoHS Compliant

Specifications

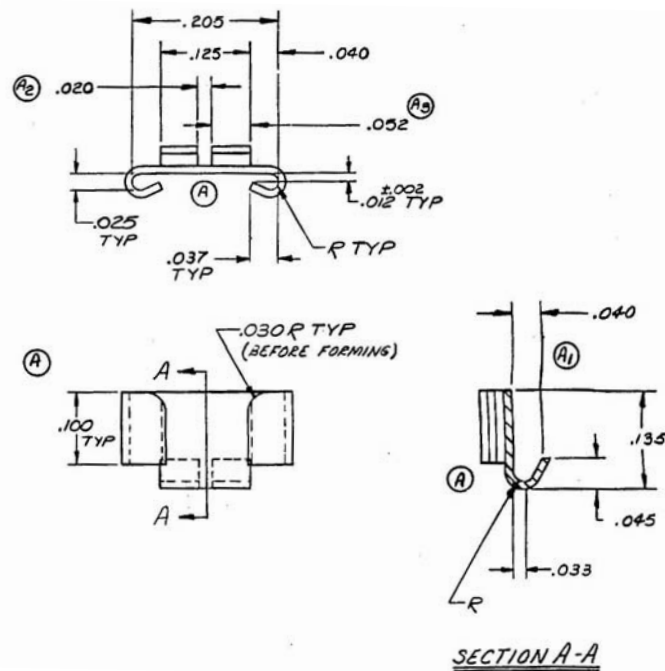
Material: .010 Thick ASTM B 36 Alloy #3 CDA #230 (Red Brass) 1/4 Hard Temper

Finish: 0.000/.0010 thick Tin Plate, Pre-tinned

Description

The Female Electrostatic Transducer Connector (Clip), usually a component part of the Cable Assembly, provides the mating electrical connection to our Series 600 (or Series 7000) Electrostatic Transducers.

Specifications



SENSCOMP PRODUCT SPECIFICATION SHEET DISCLAIMER NOTICE

SensComp, Inc. ("SensComp") reserves the right to make corrections, enhancements, improvements and other changes to its products, specification sheets and data, and to discontinue any product, without further notice. Buyer should obtain the latest relevant information before placing an order and should verify that such information is current and complete. All products are sold subject to SensComp's terms and conditions of sale in effect at the time of order acknowledgment.

SensComp disclaims any and all liability for any errors, inaccuracies or incompleteness contained in any specification sheet or in any other disclosure relating to any product. Information contained herein is strictly for reference and subject to change without notice. SensComp is not liable for any damages that the reader or any third person might suffer as a result of the reader ignoring this warning.

SensComp makes no warranty, representation or guarantee regarding the suitability of the products for any particular purpose. SensComp disclaims (i) any and all liability arising out of the application or use of any product, (ii) any and all liability, including without limitation special, consequential or incidental damages, and (iii) any and all implied warranties, including warranties of fitness for a particular purpose, non-infringement and merchantability.

SensComp assumes no liability for applications assistance or the design of Buyer's products. Buyer is responsible to validate its products, designs and applications using SensComp's products or components. To minimize the risks associated with Buyer's products and applications, Buyer should provide adequate design and operation safeguards.

SensComp products are not authorized for use in aircraft, aviation, nuclear, medical or safety-critical applications including, but not limited to, life support, where a failure of the SensComp product would reasonably be expected to cause severe personal injury or death.